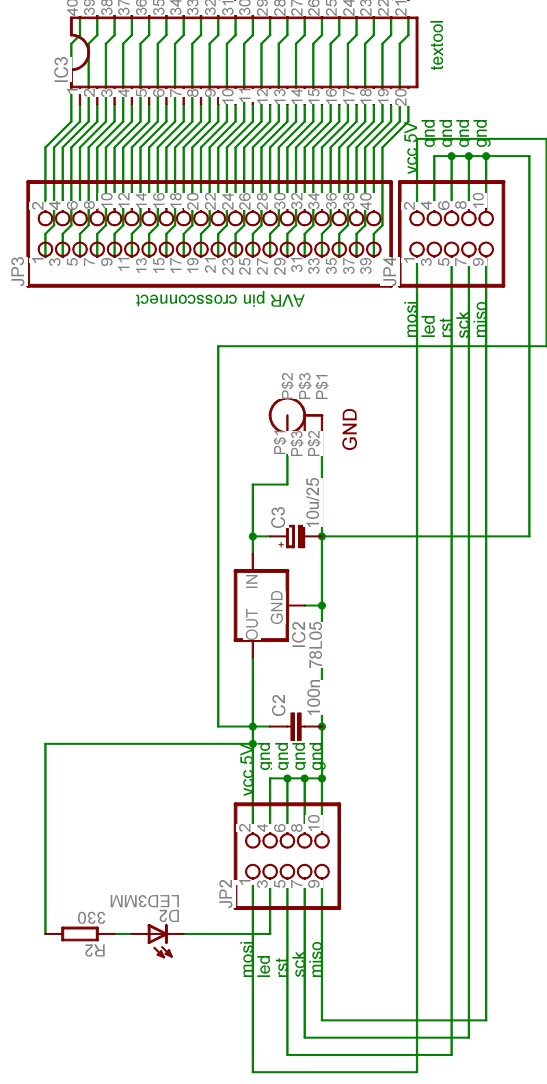


<http://www.lancos.com/e2p/avrisp-stk200.gif>  
 nandi@freemail.hu



PC LPT PORT PINOUT

1-STROBE	14-AUTOFEED	OUT
2-D0	15-ERROR	IN
3-D1	16-INIT/PRINTER	OUT
4-D2	17-SELECT/INPUT	OUT
5-D3	18....25-GND	
6-D4		
7-D5		
8-D6		
9-D7		
10-ACK		
11-BUSY		
12-PAPEREND		
13-SELECT		